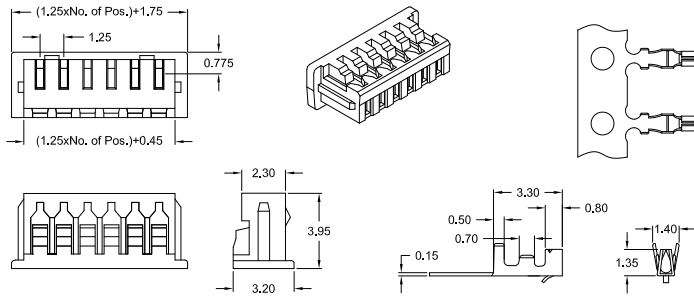


# 1.25mm Wire to Board Crimp Contact Connectors



## S - Type Single Row

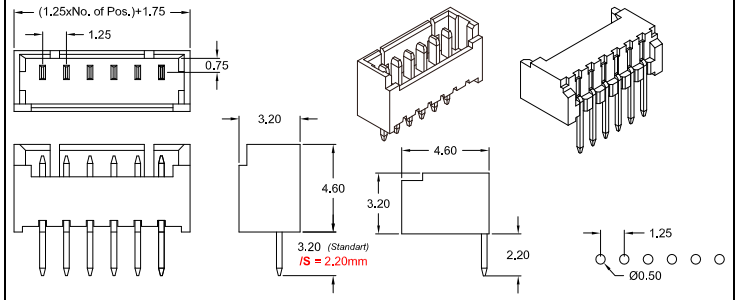
### Female Plug



Order Code Housing: **CRF-1xx-S125**

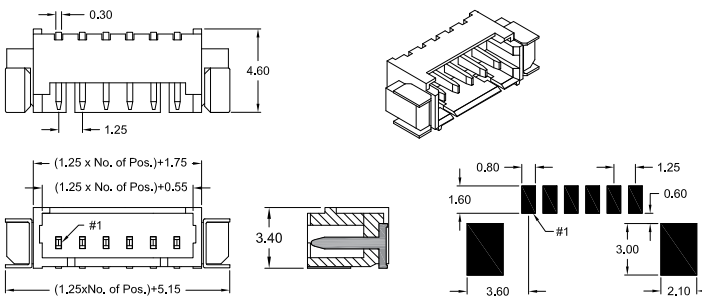
Contact: **CRF-999/35-S125-99**

### -THT- Male Header straight (top entry) & right angle (side entry)



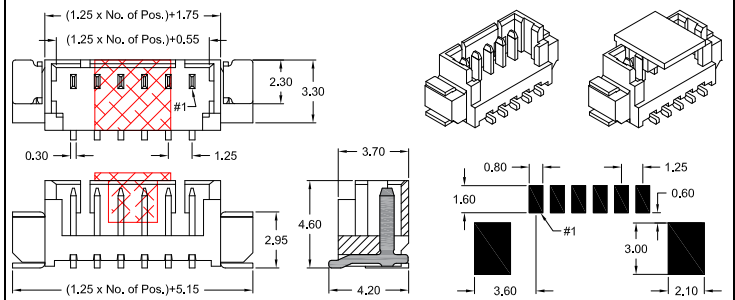
Order Code straight: **CRS-1xx-S125-99/S** right angle: **CRR-1xx-S125-99**

### -SMT- Male Header right angle (side entry)



Order Code: **CRR-1xx-SS125-99/R**

### -SMT- Male Header straight (top entry)

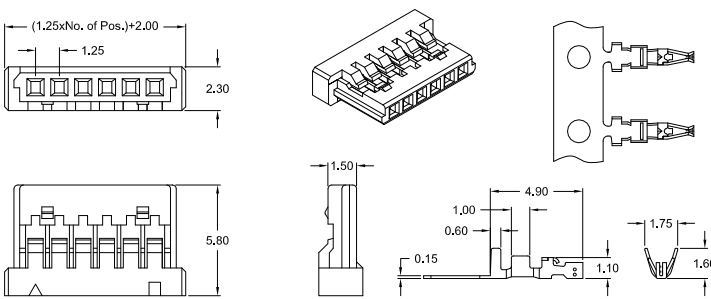


Order Code: **CRS-1xx-SS125-99/R**

**CRS-1xx-SS125-99/B**

## D - Type Single Row

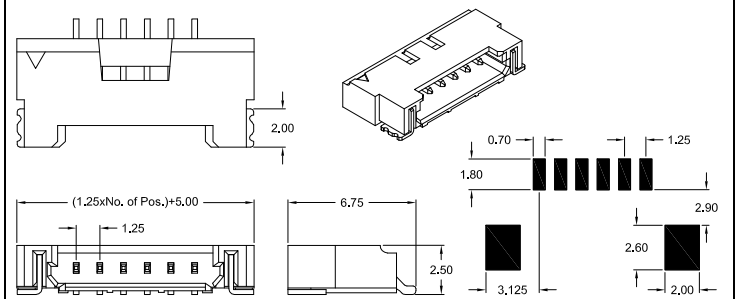
### Female Plug



Order Code Housing: **CRF-1xx-D125**

Contact: **CRF-999/35-D125-95**

### -SMT- Male Header right angle (side entry)



Order Code: **CRR-1xx-SD125-99/R**

### Specifications

Current rating	1 A	Withstanding voltage	250 V AC	Contact material	Copper Alloy
Insulation resistance	100 MΩ min.	Operating temperature	-40°C to +85°C	Insulator material	PA6T UL 94V-0
Contact resistance	20 mΩ max.	D125 Type	-25°C to +85°C	CRF Type	PA66 UL 94V-0
Voltage rating	125 V AC	SMT Processing temp.	+250°C for 5 sec.	SD125 Type	PA9T UL 94V-0
				PCB thickness	1.60 mm

### How to order

**CR X - x xx - X 125 - 99 / X**

Type	Rows	Nbr of Contacts	Execution	Plating	Packing
<b>F</b> = Female <b>R</b> = R/A Male <b>S</b> = Straight Male	<b>1</b> = single row  <i>if Crimp Contact:</i> <b>9</b>	<b>02 - 15</b> = S & SS - Type <b>02 - 30</b> = D & SD - Type  <i>if Crimp Contact: (MOQ: 10K/reel)</i> <b>99/35</b> = AWG 28~32	<b>S</b> = Plug <b>SS</b> = SMT <b>D</b> = Plug <b>SD</b> = SMT  for details see above dwg's	<b>99</b> = Tin <b>95</b> = Tin/Gold <i>(tin leadfree)</i>  other platings on request	<b>R</b> = Reel w/o PickUp Cap <b>B</b> = Reel with PickUp Cap