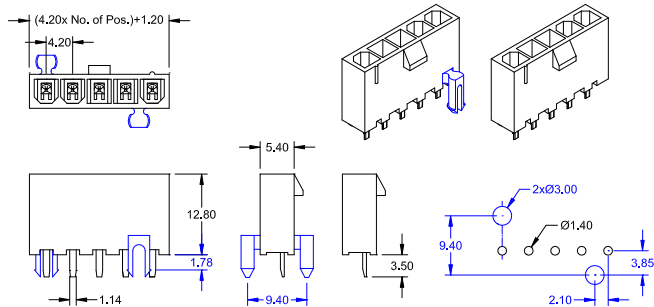




P - Type Single Row fully shrouded with polarity protection

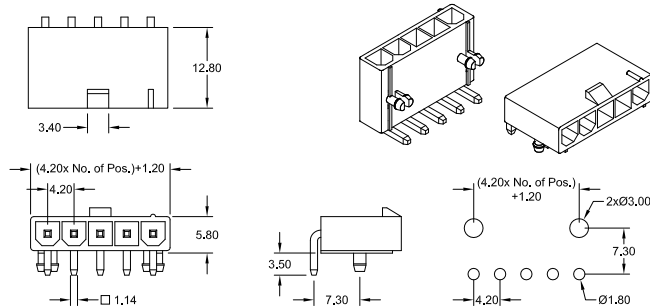
-THT- Male Header straight (top entry) with & w/o board lock clips



Order Code: PCS-1xx-P420-99

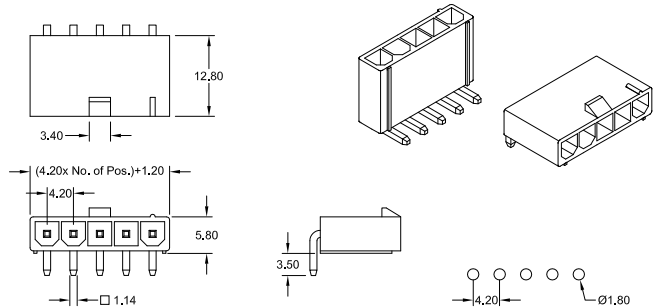
PCS-1xx-PN420-99

-THT- Male Header right angle (side entry) with board lock clips



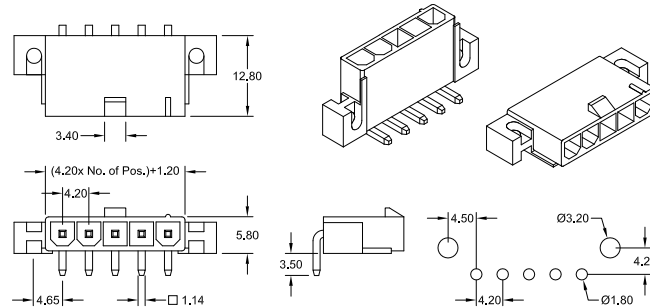
Order Code: PCR-1xx-P420-99

-THT- Male Header right angle (side entry)



Order Code: PCR-1xx-A420-99

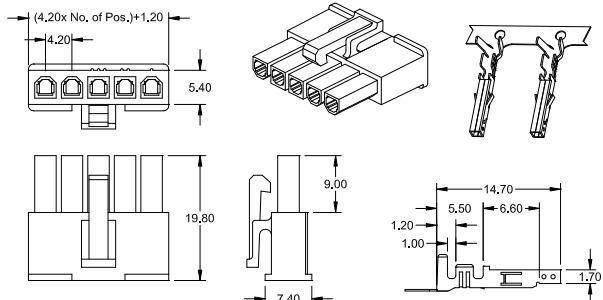
-THT- Male Header right angle (side entry) with mounting ears



Order Code: PCR-1xx-W420-99

P - Type Female Plug Single Row -Clip lock Type- with polarity protection

mate with -P420-, -A420- & -W420- Male Header



Order Code Housing: PCF-1xx-P420

Contact: PCF-999/xxX-P420-99

Current rating @30°C:
(dependant on number of contacts and wire size)

Wire Size AWG	Contacts			
	02 ~ 03	04 ~ 06	07 ~ 10	11 ~ 12
#16	9A	8A	7A	6A
#18	9A	8A	7A	6A
#20	7A	6A	5A	5A
#22	5A	4A	4A	4A
#24	4A	3A	3A	3A
#26	3A	2A	2A	2A
#28	2A	1A	1A	1A

Specifications

Current rating	pls. see box above	Voltage rating	600 V AC/DC	Contact material	Brass or PhBz
Insulation resistance	1000 MΩ min.	Withstanding voltage	1500 V AC	Insulator material	PA66 UL 94V-2
Contact resistance	20 mΩ max.	Operating temperature	-25°C to +85°C	PCB thickness	1.60 mm

How to order

PC X - x xx - X 420 - 99

Type	Rows	Nbr of Contacts	Execution	Plating
F = Female R = R/A Male S = Straight Male	1 = single row <i>if Crimp Contact:</i> 9	02 - 12 = P, A & W - Type <i>if Crimp Contact:</i> (MOQ: 5K / reel) <i>if Brass:</i> 99/27 = for AWG 22~28 99/20 = for AWG 18~24 99/14 = for AWG 16 <i>if Phosphor Bronze:</i> 99/27P = for AWG 22~28 99/20P = for AWG 18~24 99/14P = for AWG 16	P = with board lock clips PN = without board lock clips A = without mounting ears W = with mounting ears for details see above dwg's	99 = Tin (leadfree) other platings on request

P - Type Dual Row fully shrouded with polarity protection

-THT- Male Header straight (top entry) with board lock clips

Order Code: **PCS-2xx-P420-99**

-THT- Male Header straight (top entry) without board lock clips

Order Code: **PCS-2xx-PN420-99**

-THT- Male Header right angle (side entry) with mounting ears

Order Code: **PCR-2xx-W420-99**

-THT- Male Header right angle (side entry) with board lock clips

Order Code: **PCR-2xx-P420-99**

P - Type Female Plug Dual Row -Clip lock Type- with polarity protection

mate with -P420- & -W420- Male Header

Order Code Housing: **PCF-2xx-P420** Contact: **PCF-999/xxX-P420-99**

Current rating @30°C:
(dependant on number of contacts and wire size)

Wire Size	Contacts			
	02	04 & 06	08 & 10	12 ~ 24
#18	9A	8A	7A	6A
#20	7A	6A	5A	5A
#22	5A	4A	4A	4A
#24	4A	3A	3A	3A
#26	3A	2A	2A	2A
#28	2A	1A	1A	1A

Specifications

Current rating	pls. see box above	Voltage rating	600 V AC/DC	Contact material	Brass or PhBz
Insulation resistance	1000 MΩ min.	Withstanding voltage	1500 V AC	Insulator material	PA66 UL 94V-2
Contact resistance	20 mΩ max.	Operating temperature	-25°C to +85°C	PCB thickness	1.60 mm

How to order

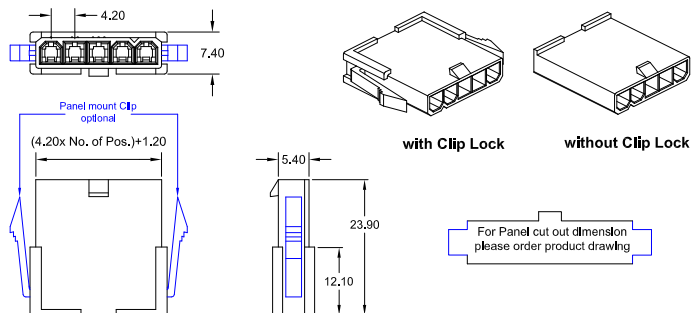
PC X - x xx - X 420 - 99

Type	Rows	Nbr of Contacts	Execution	Plating
F = Female R = R/A Male S = Straight Male	2 = dual row <i>if Crimp Contact:</i> 9	02 - 24 = P & W - Type <i>if Crimp Contact: (MOQ: 5K / reel)</i> <i>if Brass:</i> 99/27 = for AWG 22~28 99/20 = for AWG 18~24 99/14 = for AWG 16 <i>if Phosphor Bronze:</i> 99/27P = for AWG 22~28 99/20P = for AWG 18~24 99/14P = for AWG 16	P = with board lock clips PN = without board lock clips W = with mounting ears for details see above dwg's	99 = Tin (leadfree) other platings on request

Crimp Contact "Power Connectors"

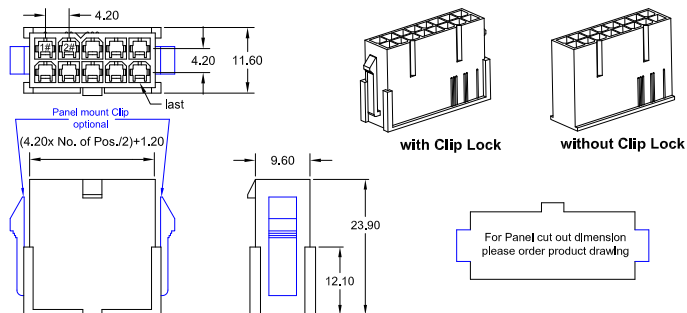
P - Type Male Plug Single & Dual Row

Single Row Housing with & without -Panel Clip lock-mate with PCF-1xx-P420



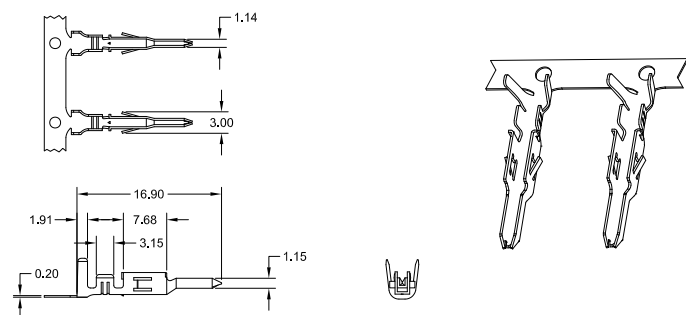
Order Code with Panel Clip lock: **PCM-1xx-P420**
 Order Code without Panel Clip lock: **PCM-1xx-PN420**

Dual Row Housing with & without -Panel Clip lock-mate with PCF-2xx-P420



Order Code with Panel Clip lock: **PCM-2xx-P420**
 Order Code without Panel Clip lock: **PCM-2xx-PN420**

Male Contact



Order Code: **PCM-999/xxX-P420-99**

Current rating @30°C:
 (dependant on number of contacts and wire size)

Wire Size AWG	Contacts			
	02 ~ 03	04 ~ 06	07 ~ 10	11 ~ 24
#16	9A	8A	7A	6A
#18	9A	8A	7A	6A
#20	7A	6A	5A	5A
#22	5A	4A	4A	4A
#24	4A	3A	3A	3A
#26	3A	2A	2A	2A
#28	2A	1A	1A	1A

Specifications

Current rating	pls. see box above	Voltage rating	600 V AC max.	Contact material	Copper alloy
Insulation resistance	1000 MΩ min.	Withstanding voltage	1500 V AC	Insulator material	PA66 UL 94V-2
Contact resistance	20 mΩ max.	Operating temp.	-40°C to +105°C	PCB Thickness	2.00 mm max.

How to order

PCM - x xx - X 420 - 99

Rows

1 = single row
2 = dual row

if Crimp Contact:

9

Nbr of Contacts

02 - 12 = P & PN – Type single row
02 - 24 = P & PN – Type dual row

if Crimp Contact: (MOQ: 5K / reel)
if Brass (standard):
99/27 = for AWG 22~28
99/20 = for AWG 18~24
99/14 = for AWG 16

if Phosphor Bronze (on request):
99/27P = for AWG 22~28
99/20P = for AWG 18~24
99/14P = for AWG 16

Execution

P = with panel Clip lock
PN = without panel Clip lock

for details see above dwg's

Plating

99 = Tin (leadfree)

other platings on request

4.20mm Wire to Board "Blind Mate" Crimp Contact "Power Connectors"



BM - Type Male Header Dual Row fully shrouded with polarity protection

-THT- straight (top entry)

Order Code: **PCS-2xx-BM420-99**

-THT- right angle (side entry)

Order Code: **PCR-2xx-BM420-99**

BF - & BSC - Type Female Dual Row with polarity protection

-THT- straight

Order Code: **PCS-2xx-BF420-99**

Dual Row Female Plug Housing panel mount Clip lock Type

Order Code: **PCF-2xx-BSC420** Contact: **PCF-999/xxX-P420-99**

BC - Type Male Plug Housing Dual Row panel mount Clip lock Type

mate with PCF-2xx-P420

Order Code: **PCM-2xx-BC420**

Male Contact

Order Code: **PCM-999/xxX-P420-99**

Specifications			
Current rating	pls. see box page 133-1	Voltage rating	600 V AC max.
Insulation resistance	1000 MΩ min.	Withstanding voltage	1500 V AC
Contact resistance	20 mΩ max.	Operating temp.	-40°C to +105°C
		Contact material	Copper alloy
		Insulator material	PA66 UL 94V-2
		PCB / Panel thickness	1.80 mm max.

How to order

PC X - x xx - X 420 - 99

Type	Rows	Nbr of Contacts	Execution	Plating
F = Female M = Male R = Right angle S = Straight	2 = dual row <i>if Crimp Contact:</i> 9	02 - 24 = BC, BF, BM & BSC -Type <i>if Crimp Contact: (MOQ: 5K / reel)</i> <i>if Brass (standard):</i> 99/27 = for AWG 22~28 99/20 = for AWG 18~24 99/14 = for AWG 16 <i>if Phosphor Bronze (on request):</i> 99/27P = for AWG 22~28 99/20P = for AWG 18~24 99/14P = for AWG 16	BC = Male Plug Housing BF = THT Female BM = THT Male P = Male Contact for details see above dwg's	99 = Tin (leadfree) other platings on request